



ADVANCED Safe And Vault Engineering

5 Mary Jane Lane, Novato, CA 94947-2960

(415) 878-0235 - www.advancedsafe.com

FLEX-VU™ DELUXE BORESCOPE VIDEO SYSTEM OPERATING INSTRUCTIONS

(Page one)

The **FLEX-VU™ Deluxe Video System** has been designed, from scratch, for the busy, professional safe technician. The kit is light and compact. Set-up is extremely easy and can be accomplished in less than five minutes. All video and power connectors are obvious and color-coded. The main system components are:

1. The 5.6" TFT color monitor (with attached magnetic-base flex-arm).
2. The monitor cable (with power and video connectors on one side and a modular plug on the other).
3. The camera/video-coupler assembly (with attached magnetic-base flex-arm and connector pigtail).
4. The AC power supply (with attached integrated video and power cables).
5. The Accessory Pack, including, 3 sizes of pass-through adapters, 2 each of 3 sizes of rubber "O" rings or grommets, and a remote control device for the monitor.

Using the following steps, familiarize yourself with the components and how they connect together, so that you are comfortable and proficient at setting up the system prior to using it on the job for the first time.

STEP 1 After you have drilled your sighting hole and verified it's accuracy with your scope:

- A) Remove the monitor/flex-arm assembly from the case.
- B) Make sure the allen-head screw (under the base) is tight.
- C) Attach it to the safe (via the magnetic base).
- D) Adjust it so you can see the monitor from a comfortable and useful angle by bending and swiveling only the knuckles of the flex-arm.

STEP 2 Attach the system to your scope:

- A) Remove the camera/coupler/flex-arm assembly from the case and attach it to the eyepiece of the scope via the bayonet locking clamp at the end of the coupler by twisting the grip to retract the three bayonet tabs. Insert the eyepiece into the coupler. Orient it so that "TOP" on the camera is aligned with the top of the eyepiece to show an erect image. Then, release the grip and hand tighten the setscrew.
- B) If you will be using the flexarm attached to the end of the camera, you then need to adjust the flex-arm so that it locks rigidly and holds the scope and camera assembly in the desired position. Some minor adjustments may be necessary to provide for optimum viewing and rigidity. By adjusting the collar (located at the end of the knuckle portion of the flex-arm) the cable tightens and allows the arm to lock into any position when you turn the cable lock lever.
- C) If you will be using the pass-through adapter with the flex-arm to support the scope shaft, you must first remove the camera/coupler assembly from the end of the flex-arm by loosening the clamp knob. Place an appropriately sized "O" ring on the scope shaft, followed by an appropriate pass-through adapter, followed by another "O" ring. Pass the shaft through the opening at the end of the flex-arm until the adapter can be seated in the clamp, then tighten the clamp knob. The "O" rings can then be moved so they prevent inward and outward movement of the shaft once you have locked the tip of the scope on your target.

STEP 3: Connect the cables (see the diagram on the reverse) as follows:

- A) Modular plug connects to the port on the back of the monitor. Do not force it! Make sure that "PUSH" is visible. It comes preassembled in the case this way.
 - B) Yellow & Red connectors from the monitor cable connect to the SHORT side of the main cable assembly.
 - C) Yellow & Red connectors from the camera connect to the LONG side of the main cable assembly.
- Remember:** YELLOW = Video. RED = Camera and monitor power leads, Make sure you insert the connectors firmly.

STEP 4: Power up the system:

- A) The camera is powered up when it is connected. It has NO switch.
- B) Connect the AC adapter to the wall outlet or to a properly grounded extension cord. If the system fails to power up or show an image, check that all the connections are tight!
- C) Turn on the monitor via the POWER button or via the remote and make any adjustments for color, tint, brightness, contrast, AV source, or to switch from normal to mirror image, via the MODE and < VOLUME > buttons. Alternatively you can use the remote for these adjustment via the PIC button.
- D) You may now use the monitor image to guide the scope tip to the target. Make any adjustments to the position of the magnetic base and then lock it and all adjusters so that the camera/coupler and attached scope are held rigidly on target.

Continued on reverse>

FLEX-VU™ DELUXE BORESCOPE VIDEO SYSTEM OPERATING INSTRUCTIONS

(Page two)

CONNECTION DIAGRAM

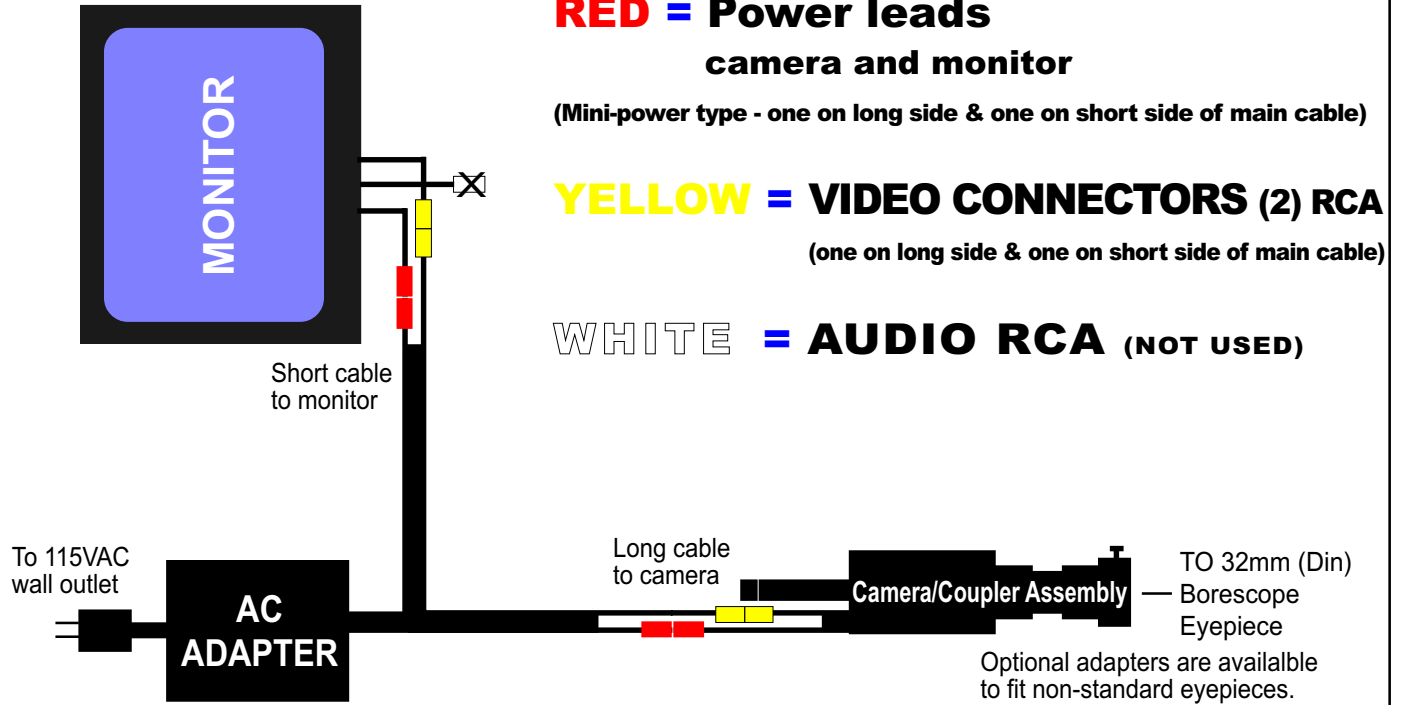
(Diagram not to scale)

RED = Power leads
camera and monitor

(Mini-power type - one on long side & one on short side of main cable)

YELLOW = VIDEO CONNECTORS (2) RCA
(one on long side & one on short side of main cable)

WHITE = AUDIO RCA (NOT USED)



An important note about magnetism and electronics: The Flex-Vu case and components have been designed to minimize the potential negative effects of electro-magnetic fields. It is, however, still a good idea to avoid contact between magnets and the camera and monitor, or to position the magnets within three inches of the sensitive electronic components.